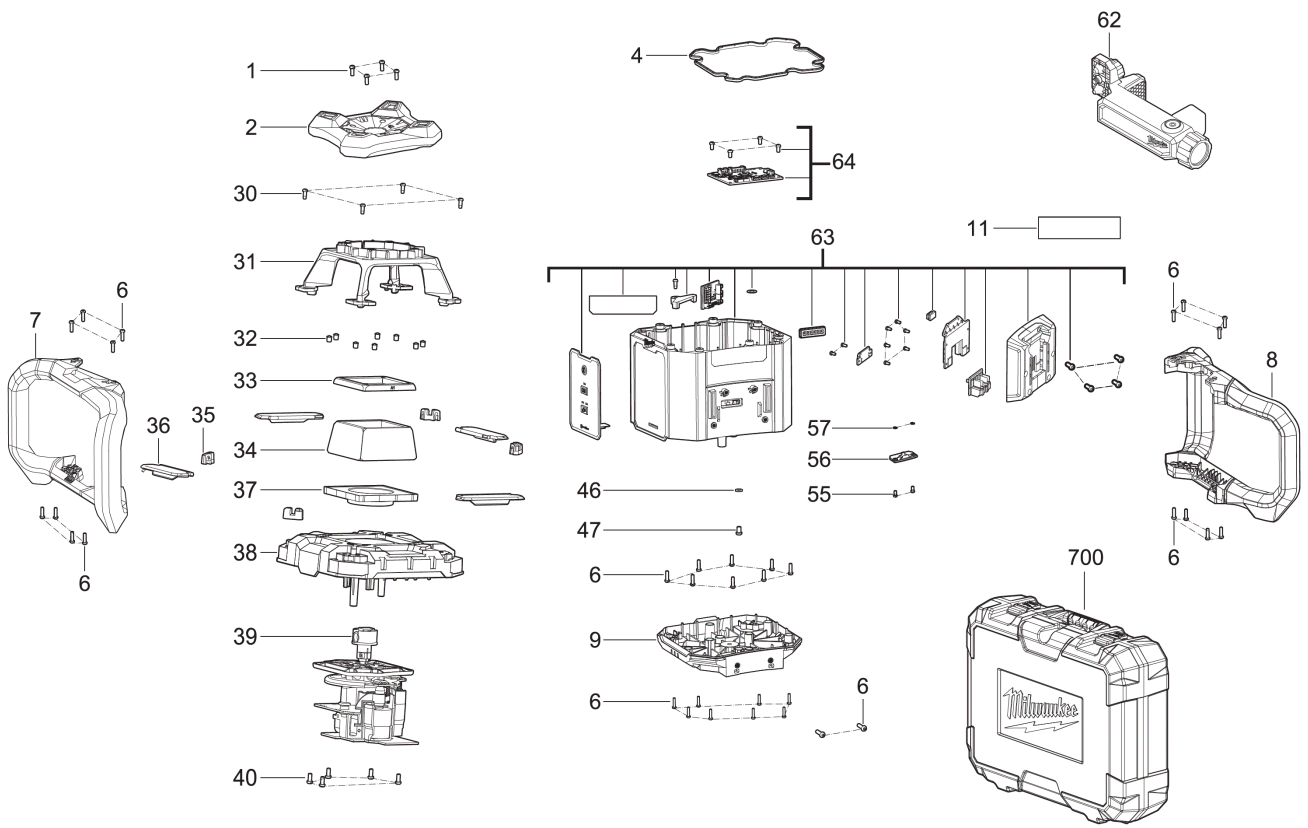


M18RLOH600-201C ROTARY LASER 600M IN2

4933493191 - M18RLOH600-201C - 4000497528





Position	Quantity	Description	Part number	EAN
0001 1	4	SCREW	4931496569	4058546537067
0002 2	1	RUBBER BUMPER	4931496570	4058546537074
0004 3	1	GASKET	4931496571	4058546537081
0006 4	38	SCREW	4931496572	4058546537098
0007 5	1	HANDLE	4931496573	4058546537104
0008 6	1	HANDLE	4931496574	4058546537111
0009 7	1	HOUSING	4931496575	4058546537128
0011 8	1	RATING PLATE	4931496576	4058546537135
0030 9	5	SCREW	4931496577	4058546537142
0031 10	1	COVER	4931496578	4058546537159
0032 11	8	RUBBER BUMPER	4931496579	4058546537166
0033 12	1	GASKET	4931496580	4058546537173
0034 13	1	GLASS	4931496581	4058546537180
0035 14	4	BRACKET	4931496582	4058546537197
0036 15	4	COVER	4931496583	4058546537203
0037 16	1	GASKET	4931496584	4058546537210
0038 17	1	HOUSING	4931496585	4058546537227
0039 18	1	BODY	4931496586	4058546537234
0040 19	5	SCREW	4931496587	4058546537241
0046 20	1	GASKET	4931496590	4058546537272
0047 21	1	SCREW	4931496591	4058546537289
0055 22	2	SCREW	4931496593	4058546537302
0056 23	1	COVER	4931496594	4058546537319
0057 24	2	CLIP	Item discontinued(4931496595)	
0062 25	1	CLAMP	4931496361	4058546534981
0063 26	1	HOUSING	4931496596	4058546537333
0064 27	1	ELECTRONIC	4931496597	4058546537340
0700 28	1	CARRYING CASE	4931496598	4058546537357